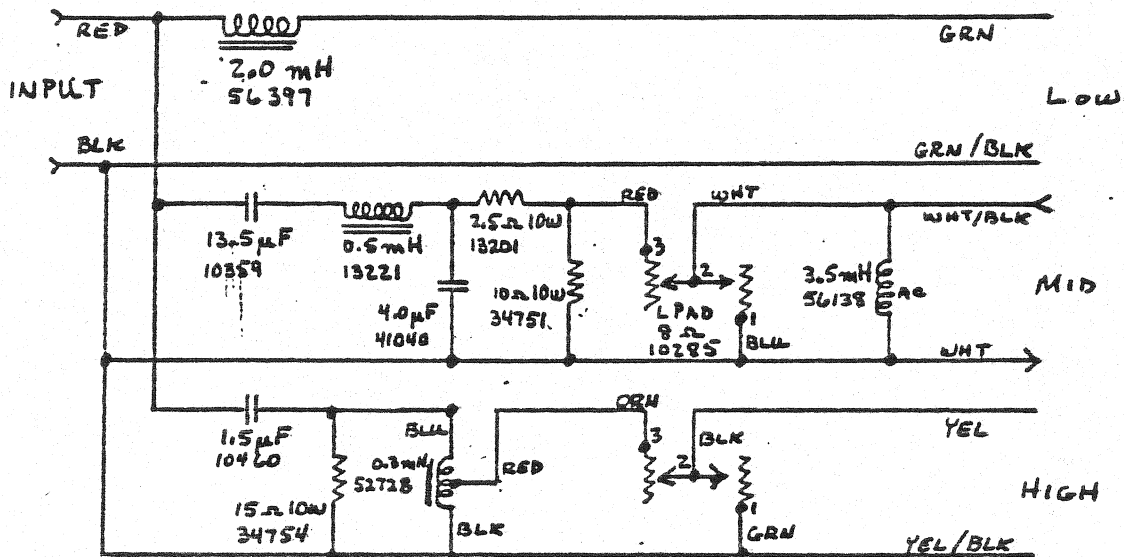


SPECIFICATIONS: NOTE ①

LOAD Z	LOW PASS	CROSS OVER	HIGH PASS	ATTENUATION
8	700HZ	1.2KHZ	2KHZ	
	LF - 2	LF - 5	LF - 10	
	MF - 10	MF - 5	MF - 4	VAR
	3KHZ	5KHZ	8KHZ	
	MF - 3	MF - 7	MF - 15	
	HF - 16	HF - 9	HF - 4	VAR

CIRCUIT:



NOTES:

- ① USE STANDARD TEST FIXTURE